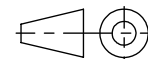
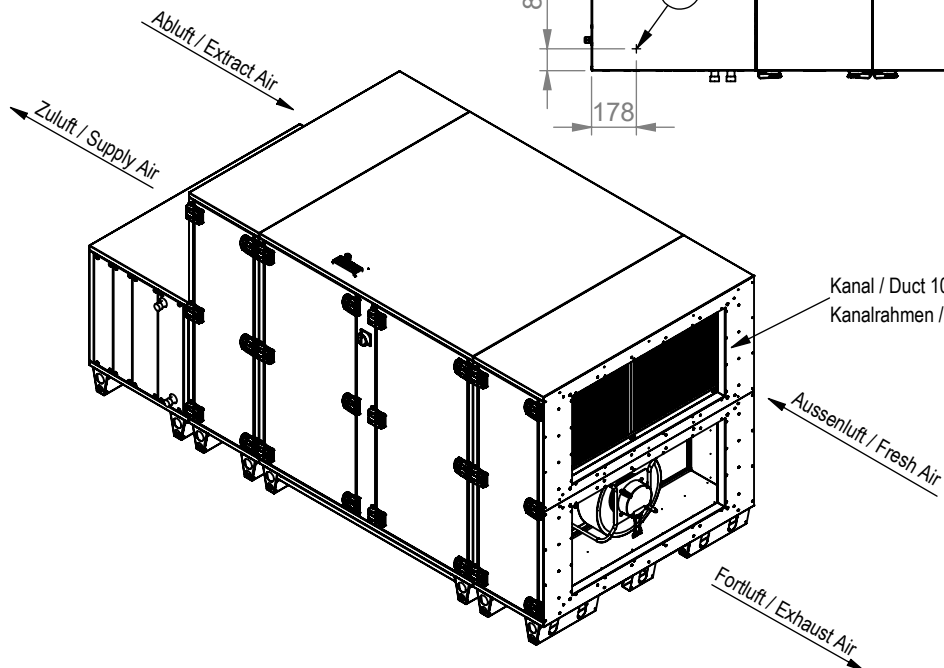


- (T1) Kondensatablauf 3/4" Aussengewinde / Drain 3/4" male tread
- (T2) Kondensatablauf 3/4" Aussengewinde / Drain 3/4" male tread
- (D1) Kältemittelinlass Ø28 / Refrigerant Inlet Ø28
- (D2) Kältemittelauslass Ø35 / Refrigerant Outlet Ø35



1:30 A4 mm

Protection Mark according to ISO 16016

General tolerances DIN ISO 2768-c

ETAK4200HODJLT

Created d.ursu
 Drawn d.ursu
 Released a.ganea
 Disabled

06.07.2023
 06.07.2023
 07.03.2025

168369 00

ruck

ruck Ventilatoren
 Max-Planck-Str. 5
 D-97944 Boxberg