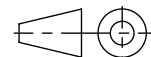
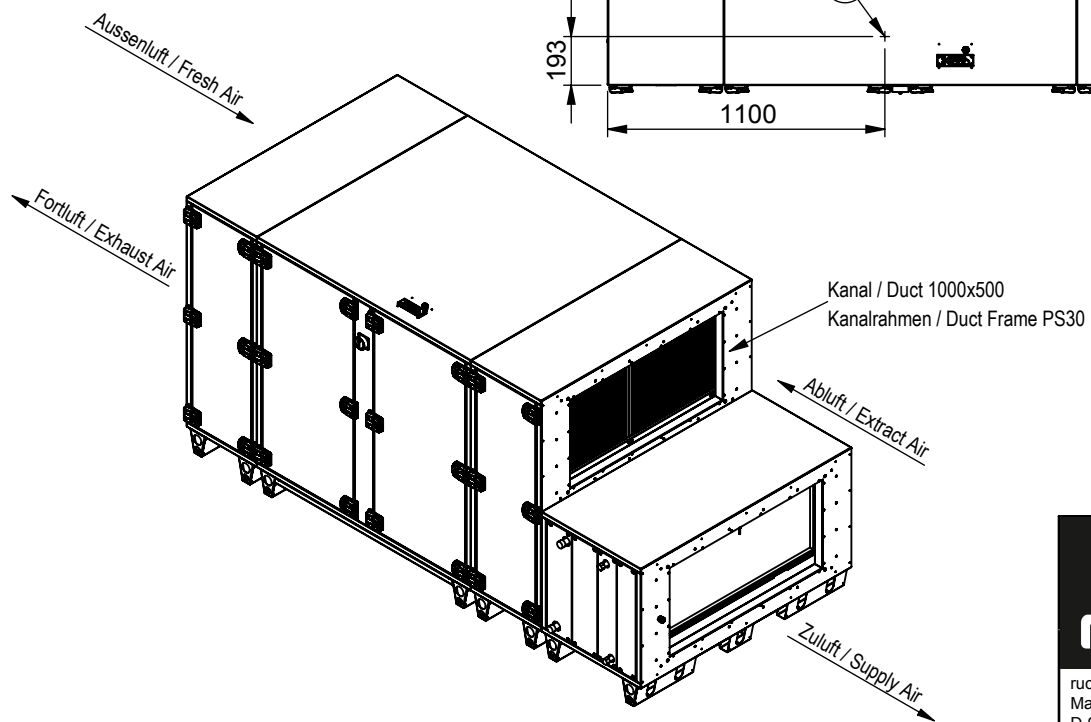


- (T1) Kondensatablauf 3/4" Aussengewinde / Drain 3/4" male tread
- (T2) Kondensatablauf 3/4" Aussengewinde / Drain 3/4" male tread
- (W) Anschluss 3/4" Aussengewinde / Connection 3/4" male tread
- (D1) Kältemittleinlass Ø 28 / Refrigerant Inlet Ø 28
- (D2) Kältemittelauslass Ø 35 / Refrigerant Outlet Ø 35



1:30 A4 mm

ruck

Protection Mark
according to ISO 16016

General tolerances
DIN ISO 2768-c

ETAK4200HWDJRT

Created d.ursu
Drawn d.ursu
Released s.oltean
Disabled

26.06.2023
26.06.2023
21.08.2023

168191 00

ruck Ventilatoren
Max-Planck-Str. 5
D-97944 Boxberg